

# Hinged Cover Cutout Boxes



**Features**

- Various sizes of easily-removable concentric knockouts on all four sides

**Construction**

- 16 gauge or 14 gauge steel
- Butt hinges
- Mounting holes on back of box
- Provision for grounding

**Finish**

ANSI 61 gray polyester powder paint finish inside and out over phosphatized surfaces.

Unless otherwise specified, all custom cutout boxes are finished with ANSI 61 gray polyester paint.

**Industry Standards**

UL 50, File No. E27567: Type I

NEMA/EEMAC Type I

CSA, File No. 42184: Type I

IEC 60529, IP30

**Accessories**

Cylinder Lock Kit

Grounding Device

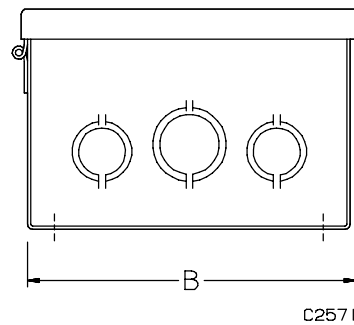
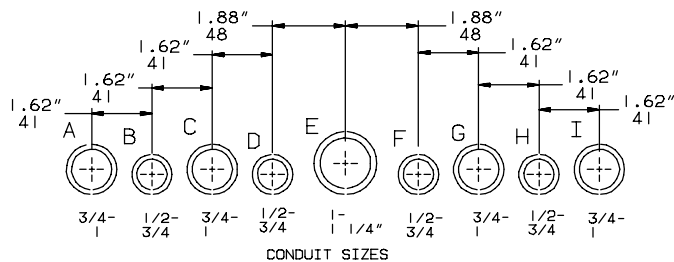
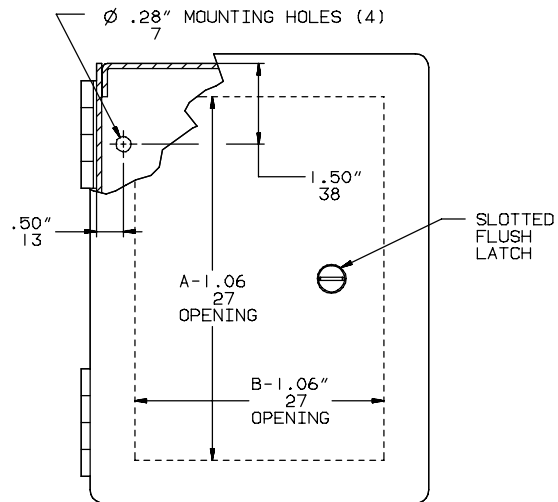
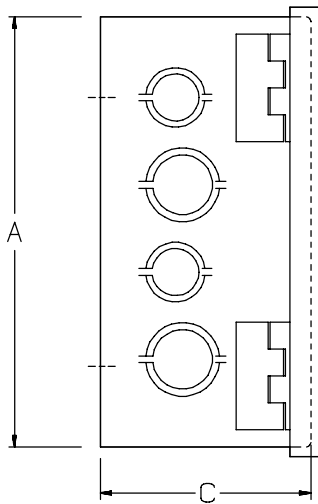
Padlock Kit

“T” Handle Latch Kit

Touch-Up Paint (ATPPY61)

**Application**

Designed for use as a surface-mounted junction box, service box, switch box, and cutout box.



**Knockout Pattern**  
(from outside of box)

**Note:** Refer to Table for applicable knockout pattern.

## Hinged Cover Cutout Boxes

1

## Standard Sizes Hinged Cover Cutout Boxes

Catalog Number	Box Size A x B x C		Knockout Pattern along	
	inch	mm	"A" Sides	"B" Sides
AHE6X6X4	6.00 x 6.00 x 4.00	152 x 152 x 102	BCD	BCD
AHE6X4X4	6.00 x 4.00 x 4.00	152 x 102 x 102	BCD	BCD
AHE8X6X4	8.00 x 6.00 x 4.00	203 x 152 x 102	FGHI	BCD
AHE8X8X4	8.00 x 8.00 x 4.00	203 x 203 x 102	FGHI	FGHI
AHE10X8X4	10.00 x 8.00 x 4.00	254 x 203 x 102	FGHI	FGHI
AHE10X10X4	10.00 x 10.00 x 4.00	254 x 254 x 102	FGHI	CDEFG
AHE12X8X4	12.00 x 8.00 x 4.00	305 x 203 x 102	CDEFG	FGHI
AHE12X10X4	12.00 x 10.00 x 4.00	305 x 254 x 102	CDEFG	CDEFG
AHE12X12X4	12.00 x 12.00 x 4.00	305 x 305 x 102	CDEFG	CDEFG
AHE16X12X4	16.00 x 12.00 x 4.00	406 x 305 x 102	BCDEFGH	CDEFG
AHE18X12X4	18.00 x 12.00 x 4.00	457 x 305 x 102	ABCDEFGHI	CDEFG
AHE6X6X6	6.00 x 6.00 x 6.00	152 x 152 x 152	BCD	BCD
AHE8X8X6	8.00 x 8.00 x 6.00	203 x 203 x 152	FGHI	FGHI
AHE10X8X6	10.00 x 8.00 x 6.00	254 x 203 x 152	FGHI	FGHI
AHE10X10X6	10.00 x 10.00 x 6.00	254 x 254 x 152	FGHI	CDEFG
AHE12X10X6	12.00 x 10.00 x 6.00	305 x 254 x 152	CDEFG	CDEFG
AHE12X12X6	12.00 x 12.00 x 6.00	305 x 305 x 152	CDEFG	CDEFG
AHE16X12X6	16.00 x 12.00 x 6.00	406 x 305 x 152	BCDEFGH	CDEFG
AHE16X16X6	16.00 x 16.00 x 6.00	406 x 406 x 152	BCDEFGH	BCDEFGH
AHE18X12X6	18.00 x 12.00 x 6.00	457 x 305 x 152	ABCDEFGHI	CDEFG
AHE18X18X6	18.00 x 18.00 x 6.00	457 x 457 x 152	ABCDEFGHI	ABCDEFGHI
AHE24X18X6	24.00 x 18.00 x 6.00	610 x 457 x 152	ABCDEFGHI	ABCDEFGHI
AHE24X24X6	24.00 x 24.00 x 6.00	610 x 610 x 152	ABCDEFGHI	ABCDEFGHI
AHE30X24X6	30.00 x 24.00 x 6.00	762 x 610 x 152	ABCDEFGHI	ABCDEFGHI
AHE36X24X6	36.00 x 24.00 x 6.00	914 x 610 x 152	ABCDEFGHI	ABCDEFGHI
AHE36X24X8	36.00 x 24.00 x 8.00	914 x 610 x 203	ABCDEFGHI	ABCDEFGHI